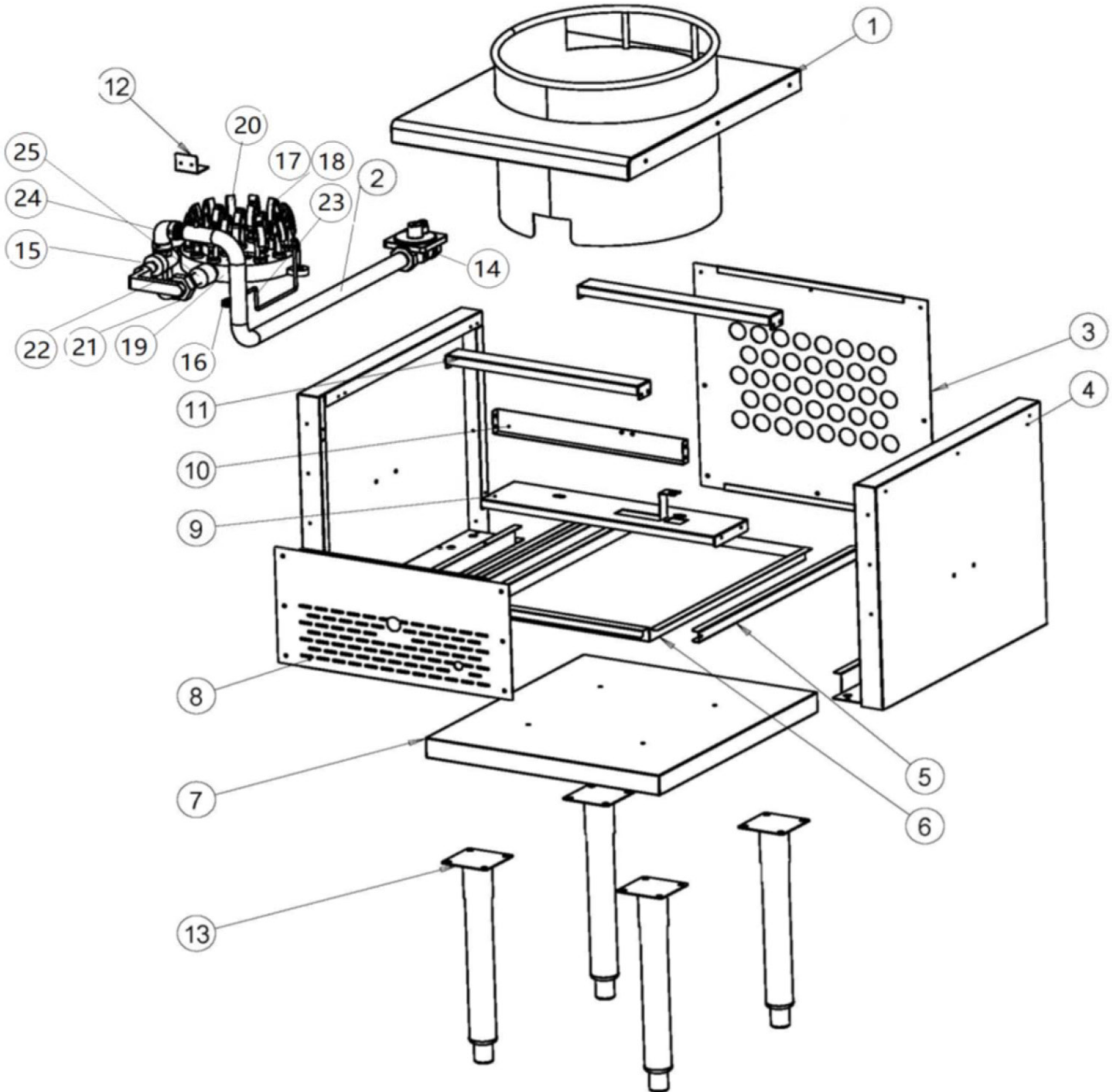


Parts Breakdown

Model CE-CN-WOK NG 47351





Parts Breakdown

Model CE-CN-WOK NG 47351

Item No.	Description	Position	Item No.	Description	Position	Item No.	Description	Position
AI568	Top Plate and Cylinder for 47351	1	AI576	Burner Support Plate for 47351	9	AI584	Orifice NG for 47351	17
AI569	Input Pipe for 47351	2	AI577	Pipe Fix Plate for 47351	10	AI585	Burner Base for 47351	19
AI570	Back Plate for 47351	3	AI578	Support Beam for 47351	11	AI586	Duck Mouth Burner for 47351	20
AI571	Side Plate (Left and Right) for 47351	4	AI579	Input Pipe Mount Pad for 47351	12	AI587	Union for 47351	21
AI572	Tray Guide for 47351	5	AI580	Support Leg for 47351	13	AI588	Street Elbow for 47351	22
AI573	Tray for 47351	6	AI581	Regulator for 47351	14	AI589	Pilot Head with Tube for 47351	23
AI574	Bottom Plate for 47351	7	AI582	Gas Valve with Handle for 47351	15	AI590	Reducing Elbow for 47351	24
AI575	Front Panel for 47351	8	AI583	Pilot Valve for 47351	16	AI591	Straight Pipe for 47351	25